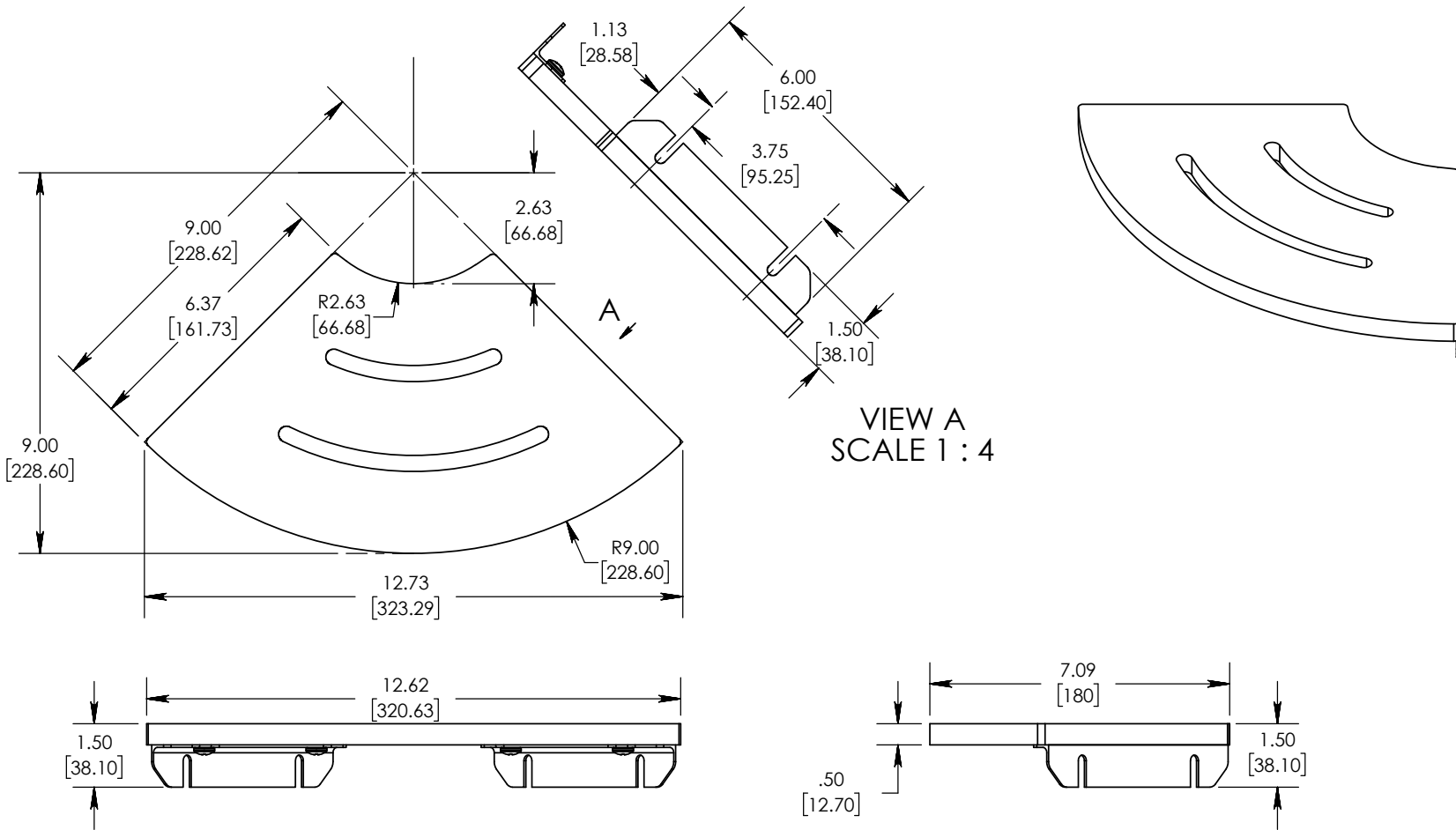


SPECIFICATION DWG



VIEW A
SCALE 1 : 4

PRODUCT SPECIFICATION

- 1. **CLIENT:**
- 2. **CUSTOMER PN:**
- 3. **MATERIAL:** Extruded Aluminum
- 3. **FINISH:** White Phenolic
- 4. **HARDWARE PACKAGE INCLUDES:**
- 5. DIMENSIONS IN BRACKETS [] ARE MILLIMETERS, FOR REFERENCE ONLY.
- 6. GRAIN DIRECTION PER ASME Y14.36M-1996 FOR SS SATIN FINISHES ONLY.

PROPRIETARY AND CONFIDENTIAL
THE INFORMATION CONTAINED IN THIS DRAWING IS THE SOLE PROPERTY OF SEACHROME CORPORATION. ANY REPRODUCTION IN PART OR AS A WHOLE WITHOUT THE WRITTEN PERMISSION OF SEACHROME CORPORATION IS PROHIBITED. ALL RIGHTS RESERVED.

| | |
|---|-----------|
| INTERPRET GEOMETRIC TOLERANCING PER: ASME Y14.5-2009 | |
| UNLESS OTHERWISE SPECIFIED: DIMENSIONS ARE IN INCHES [MM] | |
| TOLERANCES: | DECIMALS |
| FRACTIONAL ±1/64 | .X ±0.1 |
| ANGLES ± 1° | .XX ±0.02 |
| DRAWN T. AYALA | 05/28/19 |
| ENG APPR. J. AMOZOC | 3/26/19 |



| | |
|----------------------------------|------------|
| CORPORATION | |
| TITLE: 9X9" Contour Shower Shelf | |
| DWG. NO. SCS-090090-PWS | REV A |
| SIZE A DO NOT SCALE DRAWING | SCALE: 1:2 |
| SHEET 1 | |